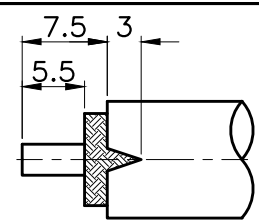
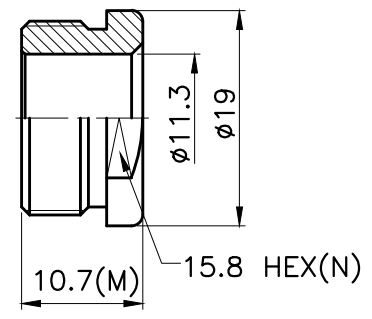
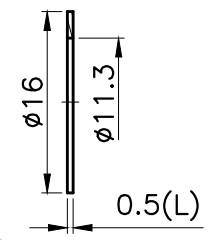
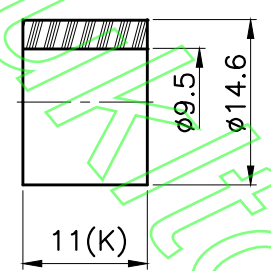
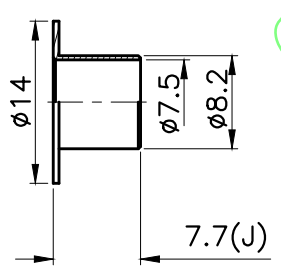
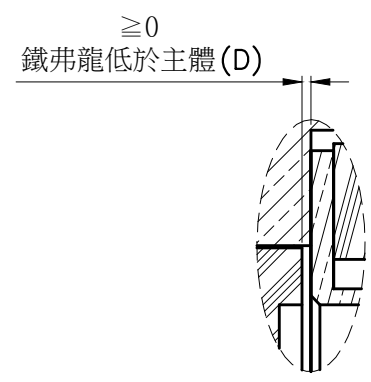
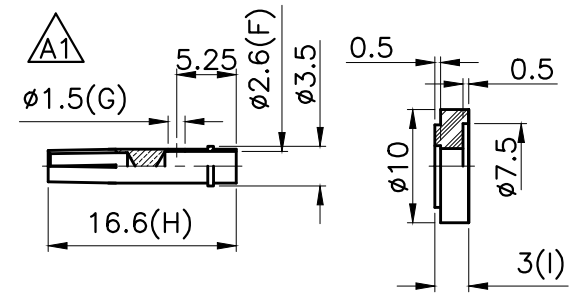
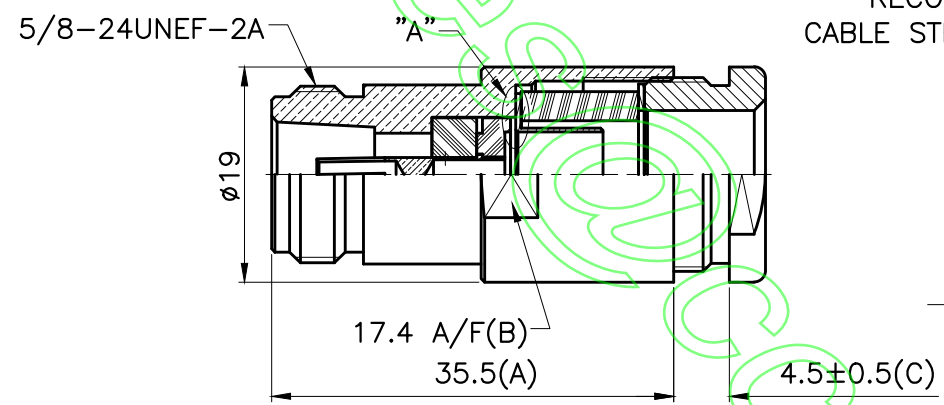


ISS	REVISIONS
	DESCRIPTION \ DATE

RoHS COMPLIANT



RECOMMENDED CABLE STRIPPING DIM'S



CONNECTORS CABLES A VIEW



TITLE: N FEMALE CLAMP  
(FOR RG214, RG213)  
PART NO: NJSC21401  
DR. NO:

APRD:  
CHKD:  
DR:  
DATE: 03/21/12"  
SHEET: .

UNLESS OTHERWISE SPECIFIED TOLERANCES  
0.5-6 =  $\pm 0.2$   
>6-30 =  $\pm 0.4$   
>30-120 =  $\pm 0.6$   
>120-315 =  $\pm 1$   
>315-1000 =  $\pm 1.6$   
ANGLES =  $\pm 5^\circ$   
UNIT: mm  
SCALE: 1.5/1

NUT	BRASS	NICKEL
WASHER	BRASS	NICKEL
GASKET	SILICONE	WHITE
TOP HAT	BRASS	NICKEL
INSULATOR	TEFLON	WHITE
CONTACT PIN	PHOSPHOR BRONZE	GOLD
INSULATOR	TEFLON	WHITE
BODY	BRASS	NICKEL
NO. DESCRIPTION	MATERIAL	FINISH